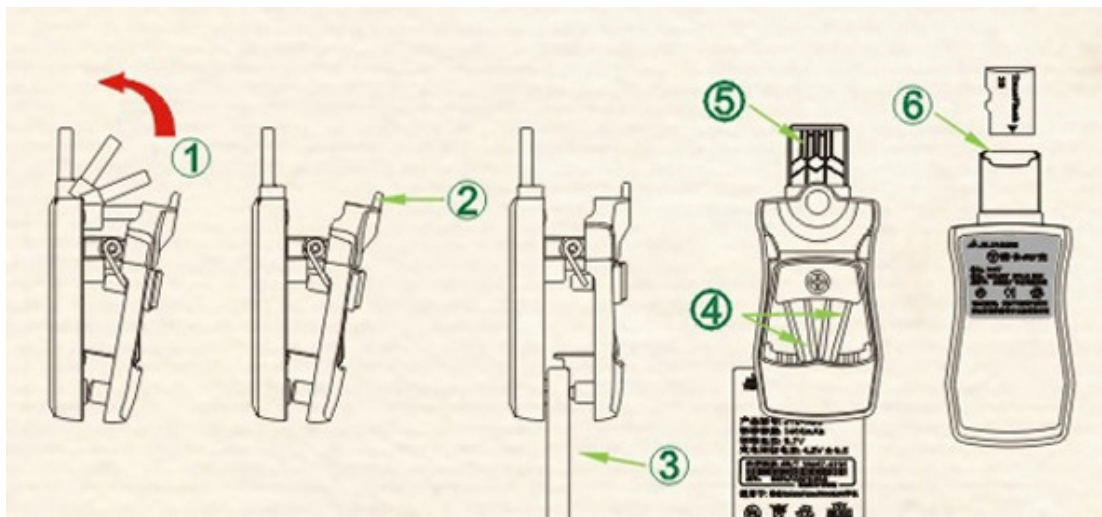




ANC GLOBAL USB Charger TF Card Reader Users Guides



Charging a Mobile Battery (It fits most mobile/cell battery models on earth)

1. Flip open the USB socket, DO NOT insert into your PC's USB port
2. Adjust the two charging connectors to fit the battery, 1 for "+", 1 for "-", no need to worry which one is "+" or "-", as it will detect them automatically. Also, no connector should touch the "neutral" of your battery.
3. Use the clip to help a firm connection between the charger connectors and your battery's connectors, if so, you should see a **green** LED as confirmation; if no green LED please re-check connections until the **green** LED is on
4. Insert the charger into your PC's USB port, you will see **red** AND **green** LED on the same time, after approximately 2-3 hours (yes it's really fast), the **red** LED will be off and only **green** LED is on, indicating the charging is complete

Notes: The charger may be hot during charging, up to 60 degree Centigrade is normal.

Using the MicroSD Card Reader (up to 4 GB)

1. Pull off the little plastic piece from the USB socket
2. Insert your MicroSD card into the slot
3. Insert the charger/card reader into your PC's USB port, it will be detected automatically as a removable drive, then you may get data in or out according to your needs.
4. Before you pull it from your USB, please make sure you do "Safe remove" to avoid losing data or damaging your PC
5. Supporting OS: Windows 2000/XP/Vista, Mac 9.2, Mac OS X, Linux RedHat, Linux Fedora